



MARCHING ORDERS

SUMMARY





SEPT 2021

MARCHING ORDERS

Our first orders!



Introducing
STU WARMINGTON

Regimental Series

taken on by the
Royal Marines and
the British Army

AXIAL Series
Introducing our
Pipe band range

Having launched the Regimental Series in March 2019 and the Axial Series in August of the same year, the British Drum Company Marching Division was firing on all cylinders and ready to roll... that was until the world was hit by a global pandemic and we were forced by the government to stop production, close the doors and lock up the factory. In May this year we reopened our doors and the production lines started to flow again. This is not how I expected to start off my first marching blog for British Drum Co!

For those of you who do not know me, let me introduce myself. My name is Stu Warmington and I have the distinct pleasure of being the Manager for the Marching Division here at BDC HQ. I spent 22 years in the Corps of Drums of Her Majesty's Royal Marines and was extremely lucky enough to meet some amazing people along my journey, as well as getting the opportunity to perform in some amazing venues all over the world. I can only describe it as a paid hobby, however it was due to that job that led me to BDC. (That's a story for another blog!)

We have two series of drums in the marching division. The first is the [Regimental Series](#) which is our range of traditional marching drums. These have been taken on by the [Royal Marines](#) and the British Army, as well as many bands in the UK, Europe & China.

The [Axial Series](#) is our Pipe band range and was co-designed with BDC and our International Marching Specialist, [Jim Kilpatrick](#). Over the past 18 months, the Axial Series drums have been despatched to the UK, Europe, USA, Australia and New Zealand, to name but a few countries, and have been taken on by Grade 1 Police Scotland & Federation Pipe Band (formally [Glasgow Police](#)). We have also attracted a plethora of [marching artists](#) to join our BDC artist family.



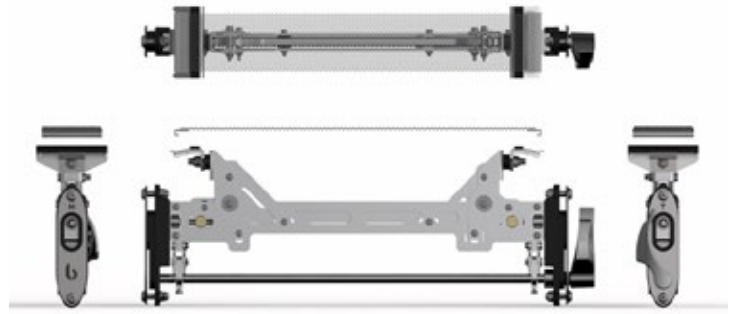
Product Updates

Regimental Series

Innovation is at the heart of everything we do at British Drum Co. We have been working closely with the Corps of drums of Her Majesty's Royal Marines as they use our RS1 snare drums, gaining insights as to how we could improve and develop our instruments to be certain we are on top of our game. The first result of this collaboration is the new [top snare mechanism](#) which will appear in all RS1 & RS1C drums moving forward. Precision

engineered using the highest-grade components, this new streamlined mechanism offers a more efficient user experience that is easy to use and inspires confidence in the player.

After all, in the world of marching drums, if you're not moving forward, you're just standing still!



Axial Series

The pandemic has caused many supplies issues for companies across the world and we're no different. Earlier this year one of our supplies went under so we had to reassess our situation. While we'd already started working on new ideas this was the ideal time to bring them forward 12 months. The biggest visual change will be for the tenor and bass drums.

The [claws](#) have changed to compliment the X-Frames on the snare drums. The new claws are made from steel and have a wider mass area to help give a more even tension across the hoops. [Georgian Oak hoops](#) will come as standard on both tenor and bass drums and feature our new head

stress management system which sees the metal flesh hoop of the drumhead completely disappear from view. The new design massively strengthens the hoop as it now has a metal ring inside due to the drumhead flesh hoop. The bass drum also features a [chamfered edge](#) thus giving it a smaller profile.

New Products

The [Regimental Practice Pad](#) is a 10" practice pad with premium high-grade silicone playing surface for clear, articulate stick response.

Features:

- Portable table-top practice pad which can also be used with snare drum stand
- Non-slip high-density foam base with stylish inner plaque
- Distinctive styling with traditional Regimental livery
- Available from 1st October 2021



Here at BDC HQ we are constantly striving to innovate to try and find better ways to improve all our products without compromise. To keep update to date with everything here at British Drum Co please make sure follow or subscribe to our social media platforms:

[Facebook](#)

[Instagram](#)

[Twitter](#)

[YouTube](#)

I also write a drumline article for [Rhythm Magazine](#) so if you'd like to know a bit more about marching drumlines and personalities within them then why not check it out.



OCT 2021

MARCHING ORDERS

The Marching Family Grows

**Old Friends,
New Drums!**
The Royal Hospital
Chelsea visit

**Regimental Series
Practice Pad**

Personalise your pad!

NEW ARTIST!



Peter Vulperhorst

Welcome to the second Marching Orders! blog. Here's a run down of what's been happening at the Marching Division at British Drum Co. over the past month.

The Marching Family Grows

The British Drum Co. is pleased to announce that Peter Vulperhorst is the latest Marching Division artist to join our artist family. Peter started drumming from the age of 7 where he was taught by his father-in-law, Sjoerd Westra, a musician in the Dutch Marines, Tamboers & Pijpers. At the age of 12, Peter started a high-quality classical percussion program with his teacher, Johan Faber, one of the best percussion teachers in Holland at that time. In 1993 he graduated Cum Laude (UM) at the Utrecht Conservatory where Johan Faber was still his teacher, mentor and coach.

It's exciting to bring in another amazing drummer into the traditional side of the division and Peter is very well known in the traditional drumming world.



I'm delighted to be able to bring Peter onboard and I feel honoured he's chosen to join British Drum Co. I look forward to seeing where this journey takes us.

[See more info here](#)



Old Friends, New Drums

I did manage to escape for a few days and head down to The Royal Hospital Chelsea, London to present some emblazoned RS1 Drums to the in-pensioners so their drummers could use them on their drum duties.

Their current drums were looking old and tired, so we decided to gift them some new drums to them for future use.

I was greeted by Maj. Phil Shannon MBE (Captain of Invalids) where I was taken in for coffee and biscuits, always a great start to any day! I was then given a full tour of the hospital and all its facilities followed by lunch in what can only be described as the perfect setting to enjoy some great food and conversation.



Following a delightful lunch, the official presentation of the drums took place. It was nice to see our drums being worn by the heroic pensioners who have the privilege of wearing the legendary scarlet coats. I was presented with a framed picture as a gift to go up on the wall at BDC HQ.

The Royal Hospital Chelsea does an amazing job but like most places, at the moment, is struggling because of COVID-19. If you can spare the price of a cup of coffee then please click the link below and help these veterans out.

The Chelsea Pensioners

<https://www.chelsea-pensioners.co.uk/howdonationhelps>

Product Updates

Regimental Series Practice Pad

Since the launch of the [Regimental Practice Pad](#) last month the demand has been extremely high. The look of the pad has stood out amongst others and the high-grade materials of this pad have proven to be popular with drummers regardless of your marching scene.

We've now decided to add an aftermarket option for all those wanting to personalise their pad with their own or band name.

This option will be limited to a maximum of 30 characters including spaces. The custom plaques can only be ordered direct from British Drum Co. on [our online store](#).

The current plaque is easily removed and the new plaque added by removing the two screws holding them in place.

Here at BDC HQ we are constantly striving to innovate to try and find better ways to improve all our products without compromise. To keep update to date with everything here at British Drum Co please if you'd like to be among the first to here about



the latest Marching Division news from British Drum Co., sign up to our newsletter by clicking the link at the bottom of the website, and make sure the "Marching" checkbox is ticked.



NOV 2021

MARCHING ORDERS

Royal Marines Keep the Beat Going!

The Royal Marines

new bass drums
and tenor drum

Drumming for
Children in Need

A visit from **TS BRILLIANT!**

a tour of BDC HQ
and RS1 & RS1C drums

Owain Wyn Evans'
**24 hr
Drumathon**

Welcome to the penultimate Marching Orders blog of 2021. Here's a run-down of what's been happening in the Marching Division at British Drum Co. over the past month.



ROYAL MARINES KEEP THE BEAT GOING!

The Royal Marines took delivery of their new bass drums along with a tenor drum to make the drum altar at this year's BBC Festival of Remembrance. You can watch the video of their Corps of Drums display [here](#). We've also had [Regimental Series](#) snares and bass drums head off to the Household Cavalry but more about them at a later date.

Later on in the month we had a visit from some of the cadets and adult instructors from [TS Brilliant](#) who came for a tour of BDC HQ and to pick up their drums. They have decided to go for a mixture of RS1 & RS1C drums to help keep the sound the same whilst allowing the younger members to take part in their engagements.



We have a new website which now features the new finishes for the drum set world but if you keep watching you may see a couple of new finishes appear in our Axial Series ;-)

CHILDREN IN NEED

I'm sure most of you will have seen the recent success of Owain Wyn Evans' 24 hr Drumathon for Children in Need. At the time of writing this blog the total has just passed £3.6m which is an incredible record-breaking amount for an individual fundraiser. There was plenty of BDC drum set artists on hand to give Owain morale support throughout the event, even the Royal Marines Corps of Drums came down from Scotland and with help from Pudsey managed to cheer Owain on to the 24-hour mark.

There's still time to help, click the link below or more information on how to donate: <https://bit.ly/3nEpJAO>



If there's anything you'd like to see in the Marching Orders blog then please do get in contact and we'll see what we can do. Just [click here](#)



DEC 2021

MARCHING ORDERS

Drums in Action!

Brentwood Imperial Youth Band

3 performances for their annual Christmas concert.

Royal Marines

use new tenor drums for the

Royal British Legion Festival of Remembrance

NEW FOR 2022!

AXIAL Merlin:

Emerald, Platinum
and Violet finish



COMING SOON!
On The Sofa With

Seasons Greetings!

Well here we are once again! Another year nearly over and the promise of a better year next year. For the British Drum Co Marching Division, it's been a great year, we've seen more and more people move across to BDC and we've invested heavily in new technology and machinery to make sure we stay ahead of the game. As the world changes we also need to evolve with it and carry on maintaining the highest standards expected from BDC.

[The Northern Ireland Arts Council Grants](#) came and went and it's great to see so many marching bands from Northern Ireland switching across to our drums.

I look forward to seeing them on the road next year.

In 2021 we've seen new finishes, products and artists added to the Marching Division and 2022 doesn't look like it will be slowing down either. Later on in the blog you'll see a couple of new finishes for 2022. Here's a quick rundown of what's been happening since the last 'Marching Orders' blog.



Armed Forces Covenant

British Drum Co is proud to work with our Armed Forces and as such have signed up to the [Armed Forces Covenant](#). This is our pledge which ensures that those who serve, or who have served in the armed forces - and their families - are always treated fairly.



After being asked numerous times for "Marching Merch" we've finally managed to add a couple of items into our online shop for all you marching fans out there. The first is a black Axial T-Shirt. What better way to "rep the brand" than by showing your passion for the Axial Series. Secondly, we have a Marching Division T-Shirt, this is a grey ringspun cotton shirt with a distressed print to the front.

Although not marching related, but something that is always asked for, we've added a long sleeve t-shirt. Featuring a white British Drum Co. logo on front and "Look Amazing! Sound Amazing! Feel Amazing!" on left sleeve. We have added more to the shop so if you'd like to see what else is new, [click here](#)



Drums in Action!

On the first weekend of December, [Brentwood Imperial Youth Band](#) gave 3 performances for their annual Christmas concert. In total, there were 85 musicians on stage spreading Christmas cheer for all those lucky enough to be able to grab tickets before they sold out. Having worked with the band in the past it's great to see a youth band thriving, even during the current climate and especially after the mass lockdown we encountered.



As mentioned in the last marching blog, the Royal Marines used one of their new tenor drums to form the drum altar during the [Royal British Legion](#) Festival of Remembrance. As you can see from the photo above, the drum has the newly designed hoops which feature our new head stress management system which sees the metal flesh hoop of the drumhead completely disappear from view.

The new design massively strengthens the hoop as it now has a metal ring inside due to the drumhead flesh hoop. This system was first adopted by our [Axial Series](#) and due to its popularity we've now moved it across to the [Regimental Series](#).





Recently, British Drum Co dealer [D2Percussion](#) supplied a full corps of Axial Series drums to [The Glasgow Academy Pipe Band](#). The band went for the stunning Cosmic Purple Sparkle finish with Silver Hardware and Georgian Oak hoops for all tenors and bass drums.

BDC Marching Artists

Recently, we were lucky enough to be visited by none other than pipe band tenor drumming legend, Tyler Fry, during his visit to the UK. While he was here we took the opportunity to record a serious amount of content for use online including the new BDC feature "On The Sofa With", which is due to be released early next year, so keep an eye on out on our social media platforms for that.

We also found out what Tyler was up to and what possible new products could be coming out of [TyFry Ltd](#) over the next year or so and what life has been like for him during the COVID-19 pandemic.



After the recent success of the Axial Merlin range this year we've added 3 new finishes for 2022. Along with the current Merlins we're now adding Emerald, Platinum and Violet finish options. These new finishes will go alongside the current Merlins and will be available to order from all Official British Drum Co Specialist Marching Dealers from 1st January 2022.

To find your nearest dealer [click here](#)

As I bring this blog to a close, I'd like to thank all customers and dealers who have supported British Drum Co throughout the year and I hope you all have a very Merry Christmas and an extremely Happy New Year!



JAN & FEB 2022

MARCHING ORDERS

Happy New Year!

**Armed Forces
Covenant**

awarded Bronze status

Kingston Police

Pipe Band

Takes delivery of their
new snare drums.

WINNER!

Pipe Band

Drumming Inner Circle

The Washington Tattoo

RS1 Snare Drum

included in the
raffle prize!

Happy New Year!!

Well I was intending for these newsletters to be every month but it's been so busy here at BDC HQ that this month is a combination of both January & February. I will get another one out by the end of March!!

Armed Forces Covenant

As previously mention in the December issue we recently signed up to the [Armed Forces Covenant](#). Less than 1 month later and we've now been awarded Bronze status.

British Drum Co. recognises the value serving personnel, reservists, veterans and military families bring to our business.

As an employer of veterans, we're proud to honour the Armed Forces Covenant and we look forward to continuing and growing our support to the Armed Forces community.



Drums, Drums, Drums!

Recently, Melvin Knapp won a competition run by James Laughlin as part of his [Pipe Band Drumming Inner Circle](#) business. As Melvin was in the UK I invited him up to BDC HQ so he could take a tour and pick out the woods he wanted to use on his custom Axial snare drum. Melvin chose a Torched Aspen finish with a centre band of English piped Oak veneer inlaid into it.

It was then finished off with our unique Antique Copper hardware on the X-Frames and polished hoops. I'm sure you'll agree it's a stunning drum!!

[Kingston Police Pipe Band](#) recently took delivery of their new snare drums. The band decided to go for the extremely popular Scarlett Merlin finish. They've recently just ordered the tenors and bass to match and if you think they've gone for the same then you're in for a big surprise. Keep an eye on their social media platforms for more information!



The Washington Tattoo

Our friends at the [Washington Tattoo](#) are holding a gala at the winery at [Winery at Bull Run](#) in Virginia USA. This evening will be filled with international performances, fine wines and a fantastic networking opportunity all set in an idyllic setting. The evening will also include raffle prizes as well as silent auction prizes that 'money can't buy'. British Drum Co. has kindly donated a [Royal Marines Regimental Series RS1](#) snare drum complete with the wood from Admiral Lord Nelson's flagship HMS Victory.

To find out more about the gala or the Washington Tattoo then head over to their [website](#).

As I bring this blog to a close a few of us are getting ready for a trip down to London to watch the Massed Bands of Her Majesty's Royal Marines perform at the Royal Albert Hall. As well as that there are some other things happening in London which I'll cover in the next blog ;-)

FEATURED AUCTION ITEM!!

THE STORY OF THE
VICTORY

ROYAL MARINES
REGIMENTAL SERIES
RS1
6

VICTORY MODEL
HEART OF GAA
AND ONLY SHIPS
- 1758

APRIL 4
2022

THE WASHINGTON TATTOO
ANNUAL GALA
2022

WASHINGTON
Tattoo



MARCH & APRIL 2022

MARCHING GORDERS

Busy for British Drum Co!

Tower of London

The Ceremony of the Keys

Presenting the
Regimental Series
RS1 snare drum at
Royal Hospital Chelsea

Mountbatten
Festival of Music at
Royal Albert Hall

SPECIAL
Axial Series
debuted by
Spirit of '76 Pipe Band at
The Washington Tattoo

SWAG OF THE MONTH!

For Subscribers Only

Marching Division and
Axial Series T-Shirt
Available in sizes S - XXXL

Welcome to British Summer Time! We may have lost an hour of sleep but I for one am hoping we're going to be gaining some serious sun over the next few months. It's been an extremely busy month here at BDC HQ, not only have we had the The UK Drum Show (more about that next time), but a few of us also managed a weekend in London. This allowed us to catch up with friends, old and new, as well as seeing some of the sights you don't normally get to see as a general tourist.

Mountbatten Festival of Music

Friday 4th May saw a few of the partners head down to the [Royal Albert Hall](#) to attend the Mountbatten Festival of Music by the [Massed Bands of Her Majesty's Royal Marines](#). They are the only military band who can sell out this venue for 3 performances in a row each year. This year also just happened to be the 50th anniversary since the start of these concerts which raises money for the [Royal Marines Charity](#).

The concert was incredible and incorporated music from Elton John, Two Steps From Hell and even a Tribute to the Prodigy which heavily involved the Corps of Drums using their [RS1 snare drums](#), high tension drums and even some Roland RMP 12s. In our boxes we hosted guests from the Tower of London, Royal Hospital Chelsea, Household Cavalry and some old friends.



Tower of London



The following night we were invited to watch the ancient tradition of Ceremony of the Keys. This ceremony has taken place every single night at the [Tower of London](#) without fail; while London was being bombed during the Blitz, during the Black Plague, during the Great Fire of London, even through lockdown – the Beefeaters and Tower Guard have been ensuring that the Tower of London was safe and sound from outside attack.

We were invited by an old friend of mine, Yeoman Warder Darren Hardy. We started the night off in the most exclusive bar in the world "The Keys" where we were lucky enough to partake in a beverage or two before heading out for a private tour of the Tower and to witness the Ceremony of the Keys. On completion of that we were invited back into "The Keys" before being escorted out of the Tower just before midnight.

It was amazing to meet other Yeoman Warders and hear about life living inside the [Royal Historic Palaces](#).

Royal Hospital Chelsea

Last year we presented some [Regimental Series](#) RS1 snare drum to the [Royal Hospital Chelsea](#) and it was during my visit then that I was told if we're ever in the area again then just to let them know. So what better way to finish a great weekend in London than with a private tour of the Royal Chelsea Hospital followed by lunch in the Great Hall. Dave Godwin was our guide for the day who gave the group the most interesting and extremely funny tour of their facility. Seeing the very first berths that were made from wood from the captured ships to the facilities they have today is nothing more than amazing.



One of the highlights for me was meeting up with Billy Knowles former Drum Major of the 1st BN Royal Regiment of Fusiliers. The last time I saw Billy was at the Colchester Military Tattoo back in 1988, almost 34 years ago!

Everybody thoroughly enjoyed this visit and it was great to get a chance to speak to some of the "old boys" later on in the day over tea and biscuits.

If you like to donate to the Royal Hospital Chelsea then please [click HERE](#)



Drums, Drums, Drums!

Recently we sent some very special [Axial Series](#) drums to our friends at the [Spirit of '76 Pipe Band](#). The band had requested the drums to be finished in our military livery normally only seen on our Regimental Series drums. The band debuted these drums at the [The Washington Tattoo's](#) inaugural Gala.

The band performed alongside the [Ozscott Highland](#) dancers for the VIP reception before taking to the field later on the evening for the mini tattoo event held at [The Winery at Bull Run](#) earlier this month.



Photo ©Erik Lindquist.



Swag of the Month

This month's featured merchandise item has to be the Marching Division and Axial Series T-Shirt. Available in sizes S - XXXL. "We've got you covered"

Head across now to the official [BDC Merch shop](#)

That's it for this issue, in the next edition we'll be delving into the UK Drum Show & BDC TV!



MAY & JUNE 2022

MARCHING ORDERS

PLATINUM JUBILEE CELEBRATION

WITH QUEEN
AND ADAM LAMBERT!

**Her Majesty's
Royal Marines**
"A Gallop through History"

Trooping the
Colour

1st Btn Irish Guards
Corps of Drums
take ownership of
Regimental Series



ON THE SOFA WITH

TYLER FRY

Well, we're now officially half-way through the year and it's great to see the marching scenes opening back up again. It seems like a lifetime ago since I've watched marching bands parading down the street or pipe bands performing on the green. The Regimental Series has been heavily shown on the world stage during the Platinum Jubilee but more about that later on. Once again this month I'll be offering a special subscribers-only deal with our "Swag of the Month" so don't miss that!!

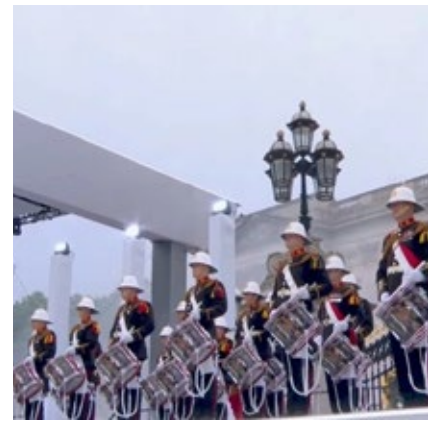
Platinum Jubilee Celebration

The first event saw the Corps of Drums of Her Majesty's [Royal Marines](#) take part in the Queen's Platinum Jubilee celebration entitled "A Gallop through History" held within the grounds of Windsor Castle. The Corps of Drums performed with the [Top Secret Drum Corps](#) much to the delight of Her Majesty The Queen.





The Queen's Birthday Parade was next on the list and this time it was the turn of the 1st Bn [Irish Guards](#) to Troop their Colour. The [Corps of Drums](#) had recently taken ownership of their [Regimental Series](#) RS1 drums. These drums were all emblazoned by hand using the finest oil colours and both 24ct gold or white gold leaf. LSgt Hamilton was the Lone Drummer who had the honour of performing the Drummers Call.



To end the weekend of celebrations the Corps of Drums of Her Majesty's Royal Marines opened the Party at the Palace concert playing with [Queen](#) and [Adam Lambert](#) after the iconic beat was started by Her Majesty The Queen and Paddington Bear. I can't think of any better way to end the Platinum Jubilee celebrations.

On The Sofa With...

With the [RSPBA World Pipe Band Championships](#) fast approaching we will be releasing the interview we recored with Tyler Fry when he was over earlier this year. We will discover what he's been up during COVID and if we can expect any new [TyFry Ltd](#) products.



New Artist Alert!!

In the next edition we will meet the newest member of the Marching Division artist family.

Stay tuned for more info ;-)

That's it for this issue, in the next edition we'll be delving into the World Pipe Championships!



JULY & AUGUST 2022

MARCHING ORDERS

The World Pipe Band CHAMPIONSHIPS 2022

FEATURING

Brisbane Boys' College
Pipe Band

Police Scotland & Federation
Pipe Band

Duncan Taylor Whiskey

on the sofa with

**DAVID
HENDERSON**



The factory have
Returned
from their two-week
Summer!

Drums are back
in production

NEW ARTIST!



Mark Reilly

Well the factory has officially come back after its summer block leave and the drums are back in production. The run up to the factory holidays was incredibly busy due to the the fact we had the World Pipe Band Championships right before it (more about that below).

Moving forward through September and October we have a busy time ahead as September see us sponsoring and attending the [Society of International Rudimental Drummers Symposium](#).

We also have more "On The Sofa with..." videos penciled in the diary to record and the launch of the new finishes for 2022/23 sees us updating the website in the new few weeks.

The World Pipe Band Championships 2022

After a 2 year hiatus the World Pipe Band Championships eventually took place once again on the famous Glasgow Green. Over 40,000 people attended the event over the 2 days with 146 bands taking part. A lot has happened since the Axial Series launched at the last championships in 2019. This year the BDC marquee was bigger and a lot busier than last time - in fact it was the biggest structure on the field. It had to be - we had over 40 drums on display!

The event saw us launch the new finishes for 22/23 including the much talked about Exo-Skins. This allows the user to change the look of their drum by applying the Exo-Skins to the X-Frames on the snare drums. There are two design options with a total of 12 different colour finishes for each design.

As player of our Axial drums we were lucky enough to have [Brisbane Boys' College Pipe Band](#) & [Police Scotland & Federation Pipe Band](#) play in front of the marquee to entertain the masses and after many requests we even managed to get all the BDC artists together for a jam with the Drum Corps from Police Scotland and Federation.

We had many guests pop in throughtout the 2 days including Mark Reilly who managed a quick jam with [Gareth](#) & [Steven](#) (more about Mark later on in the blog) as well as [The Big Rab Show](#) team who popped in to see what we'd been up to since the last time we met. This year BDC bought its merchandise stand along so that combined with the [Jim Kilpatrick shop](#) meant we had a vey busy tent to say the least. It also seemed popular with the [Sons of Holyland](#)





[Pipe Band](#) as they were able to buy souvenirs to take back with them after their incredible journey to the their first World Championships.

This year we also had the BDC VIP Area. This was an area for friends and BDC artists to chill out and get away from it all. It also provided a great place to chat to people in a quieter environment. Being a BDC artists meant that all food and drinks were provided and ice cold water was definitely in high demand during the sweltering hot temperatures.

We also had the guys in from [Duncan Taylor Whiskey](#) who were providing drams of [Black Bull](#) for anybody in the VIP area who wanted one. The entire event was a huge success and believe it or not we've already planned out what we're doing for next years event.

Personally I'd like to thank everyone who came along to the BDC marquee and spent time chatting. It was great to see old friends but also great to make new connections.

We're all already looking forward to the 2023 World Pipe Band Championships!



On the Sofa with...



Prior to the [RSPBA World Pipe Band Championships](#) we were extremely lucky to grab a day with David Henderson from [Police Scotland & Federation Pipe Band](#) where he spoke about lockdown and how the band coped during the pandemic. He also spoke about his business [D2 Percussion](#) and what he has planned for the next 12 months.

Just like [Tyler Fry](#), we will also have a week of David Henderson on our social media platforms so make sure you keep an eye out for that!



New Artist Alert!!

Mark Reilly Joins British Drum Co. Marching Division

It's with great pride that I can officially announce that top performer, clinician and educator Mark Reilly has joined the BDC Marching Division. Mark has performed in professional groups such as the [Top Secret Drum Corps](#), and the [Middlesex County Volunteers Fifes & Drums](#) to name but a few. More recently he was the acting Commanding Officer in charge of [The United States Army Old Guard Fife and Drum Corps](#) as well as a performer in the Snareline.

Mark is also the CEO of [The Washington Tattoo](#) which is an international cultural festival that provides visitors to Washington DC the unique opportunity to view the world through the sights, sounds, and soul of global music and food. The event's mission is to connect the world through cultural diplomacy and real time experiential learning.

To read the full Press Release [click here!](#)

That's it for this issue, the next edition will see us hit the 1 year mark since I first started the "Marching Orders" blog. We'll also have a feature on the [Society of International Rudimental Drummers Symposium](#) taking place in Portsmouth in September.



SEPT & OCT 2022

MARCHING ORDERS

Drum of Friendship

SIKD 2022

FEATURING:

BDC marching artists perform together

Japan Ground Self-Defense Force Central Band

Connecticut Patriots Fife & Drum Corps

A visit from **Royal Logistics Corps of Drums**



ON THE SOFA WITH **RUSS**



New Look!

This time 12 months ago I wrote the first 'Marching Orders' blog. The time has flown by and it's been great letting all our readers know what's been going on at BDC HQ. To celebrate this we've given the Marching Orders covers a bit of a makeover. At the end of the year you'll be able to download the entire 12 months worth in one pdf so you can catch up during your daily commute or during your downtime. Each month the blog is a quick 2-4 min read to let you know what has been going on in the Marching Division during the previous months.

Royal Logistic Corps

October saw the [Corps of Drums from the Royal Logistics](#) arrive at BDC HQ for a tour of our facility.

The Corps of Drums have recently taken ownership of 20 RS1 Regimental Series drums which have been sent away to get hand painted.

It was good to give them the guided tour and show them how we make our drums by hand as well as some of the other products we make at BDC that many people aren't aware of. Drum Major Will Morris brought the drummers up from their barracks in Winchester, Hampshire



Society of International Rudimental Drummers Symposium (SIRD)

In September, British Drum Co attended the [2022 SIRD symposium](#) (originally scheduled for 2020) as one of their main sponsors. There were over 100 drummers and fifiers in attendance from over 16 countries. The event was a mixture of presentations, tuition and just some general pad jamming. This gave the opportunity for our 3 newest marching artists to perform together.

Peter Vulpherhost also picked up his RS1G in military livery and his Cosmic blue sparkle burst Axial snare drum which he used with his performance with Jon Wooton. There were some great performances including a fantastic display by the [Connecticut Patriots Fife & Drum Corps](#) against the backdrop of the Spinnaker Tower and HMS Warrior, as well as a very informative presentation by the Japan Ground Self-Defense Force Central Band.





The Tambour de l'Amitie (Drum of Friendship) symbolises the passion, spirit and traditions shared by all rudimental drummers. By passing the Tambour de l'Amitie from one country to another at each symposium is a symbolic of their continued pledge to "share the tradition" across the globe.

This year it was handed over from one BDC artist to another as Russ Piner (Portsmouth lead 2022) handed it to Mark Reilly who will be the lead for the next symposium which will take place in Washington DC in 2024.

On The Sofa With...

Another "On The Sofa With..." has been recorded and is currently being edited ready for later on in the year. This time we managed to drag Russell Piner up from the sunnier climes of Portsmouth to BDC HQ.

In this interview Russ talks about his inspiration for drumming and the history within his family for military drumming. We also find out that Russ was responsible for designing and naming an important part of the [Regimental Series](#)! Make sure you keep an eye on our social media channels for his interview to find out what it was.



Well that's another blog done and I can't believe we've hit the 12 month since the first article back in 2021. The next newsletter will hit your mailboxes during the festive season by then I'm sure the BDC HQ office staff will already be sick of mince pies and Christmas tunes!



NOV & DEC 2022

MARCHING ORDERS

Seasons Greetings!

2022
Photo
Round up!

Mark Reilly inducted into
**Drum Corps
Hall of Fame**



**NEW
ARTISTS!**

JAKE JØRGENSEN
and
SCOTTISH POWER PIPE BAND

As we slowly start to turn off the plugs and stow away the equipment we look back on another year that has past us by in a flash. It's fair to say coming out of covid has been hard for the marching arts but youth bands, pipe bands and all other types of marching organisation have soldiered on and it seems like we're now at the end of it. 2023 looks like being the first normal year since precovid for competitions and bands touring and traveling all over the globe to take part in tattoos and other exchange type programmes.

This year has seen some new additions to the marching division with the likes of Peter Vulpherhorst, Mark Reilly and more recently Jake Jørgensen and Scottish Power joining the ranks. You can read more about Jake and Scottish Power further down.

Drum Corps Hall of Fame

November saw BDC artist Mark Reilly inducted into the Drum Corps Hall of Fame. The event was held at Valley Forge Casino Resort in Philadelphia.

Mark was award the International Achievement Ward for his work working with and connecting with drummers for all over the globe.



Jake Jørgensen & Scottish Power Pipe Band

What better way to finish off the year then signing up [Jake & Scottish Power](#) to the BDC marching roster. Jake will be visiting BDC HQ on our first day back after Christmas ,where he'll be given the full tour of our facility and more importantly choose the finishes for Scottish Power and his own individual drums. We're already looking forward to seeing what he decides to go with

2022 Photo Round Up

Some highlights from events this year where BDC has been represented.





Marching Merch!

It's not too late to add a few items to your letter to Santa or better still send him the link which can be [found here](#) ;-)

Well that's me done for done 2022. I just want to take this opportunity to wish you and your families a very Merry and safe Christmas and a Happy New Year.



LOOK **AMAZING!** SOUND **AMAZING!** FEEL **AMAZING!**

Unit 2, Haigh Avenue, Whitehill Industrial Estate, Stockport, SK4 1NU

www.britishdrumco.com • +44 (0) 161 804 4723 • info@britishdrumco.com

